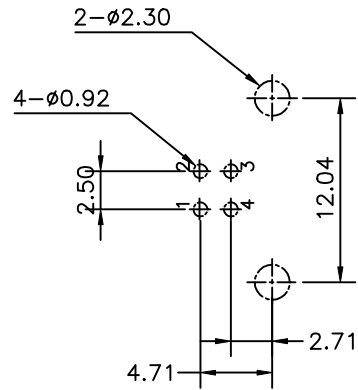
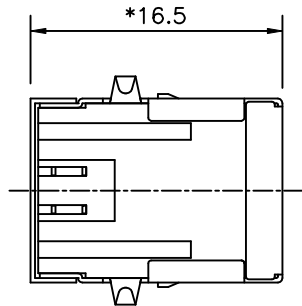
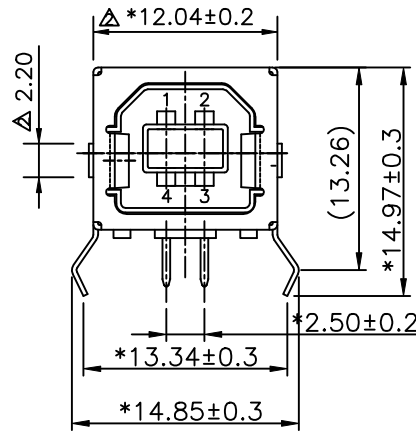
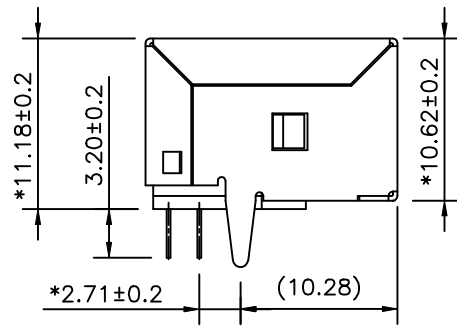


A1RFRD10

REVISION RECORD				
REV	ECO	DESCRIPTION	DRFT	CHKD
△		ADD P/N	JAM 9/28/05	
△		ADD DIM	ANKUE 9/30/05	
△		ADD P/N.	ANKUE 2/25/06	



USB-PCB LAYOUT

NOTES:

- MATERIAL:
 TERMINAL—C5191 PHOSPHOR BRONZE HARD. (t=0.25mm)
 SHIELD—COPPER ALLOY(t=0.30mm)
 HOUSING—PBT+30% G.F. UL94V-0
- PLATING: CONTACT—GOLD PLATING OVER NICKEL
 SHIELD—120u" TIN MIN OVER 50u" NICKEL.
 OR 100u"~120u" NICKEL OVER 40u" Cu.
- GAP: 0.25mm (Max.)
- ELECTRICAL:
 VOLTAGE RATING : 30 VAC RMS.
 CURRENT RATING : 1.0 AMP
 CONTACT RESISTANCE : 30 MILLIOHMS MAX
 INSULATION RESISTANCE : 1000 MEGOHMS MIN @500 VDC
 DIELECTRIC STRENGTH : 750 VAC RMS 60 HZ, 1 MIN
 OPERATING LIFE : 1500 CYCLES MIN
 MATING FORCE : 3.5 KGS MAX
 UNMATING FORE : 1 KGS MIN
- ENVIRONMENTAL:
 STORAGE : -40° C TO +85° C
 OPERATION : 0° C TO 70° C
 CAPACITANCE : 2 PF MAX 1KHZ
- WAVE SOLDER TEMPERATURE: 230-250°C.(5-10 SECONDS)
- UL & CUL FILE NO. E163191
- ROHS PART NUMBER: E8144-BOX2X-L

- 1-NICKEL
- 2-TIN
- 0-PBT BLACK
- 3-PBT WHITE
- △A-PBT LUORESCENT BLUE
- △E-PBT BLUE
- 1-Au3u"
- 2-Au6u"
- 4-Au30u"
- 7-Pd30u"

DETACHED LISTS	MM (INCH)	DFTO SAMMY	DATE 03/14/05	FULL RISE ELECTRONIC CO., LTD	
	TOLERANCES EXCEPT AS NOTED	CHKDASHHELLY	DATE 2006/2/25		
	MM	MFO	DATE	TITLE USB Series B 4-Position Dip Type	
	.0 ±0.20	APPV LUSHENG	DATE 2006/2/25		
.00 ±0.15	MATERIAL :		DRAWING NO. GE813A02-LC	SIZE	REV
.000 ±0.075	ANGLES ±		/PART NO. SEE NOTE	A3	3
THIRD ANGLE PROJECTION	SCALE :		DO NOT SCALE DRAWING	SHEET X	OF Y